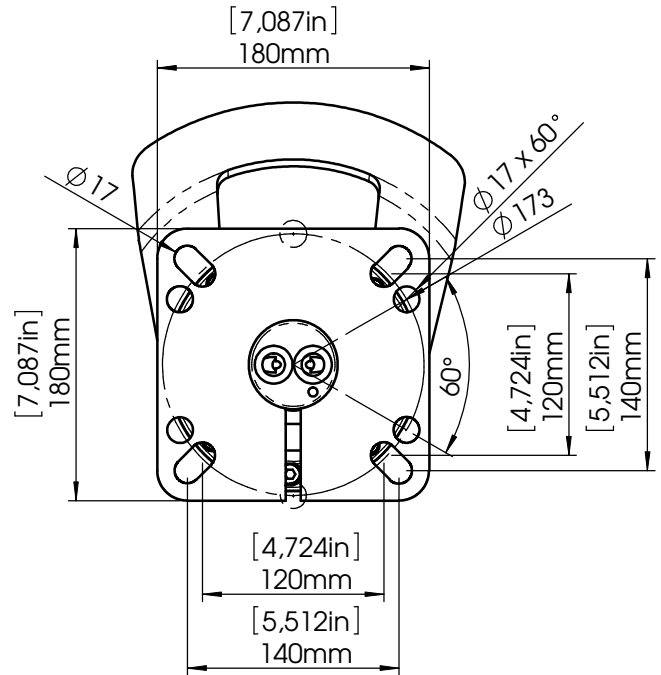
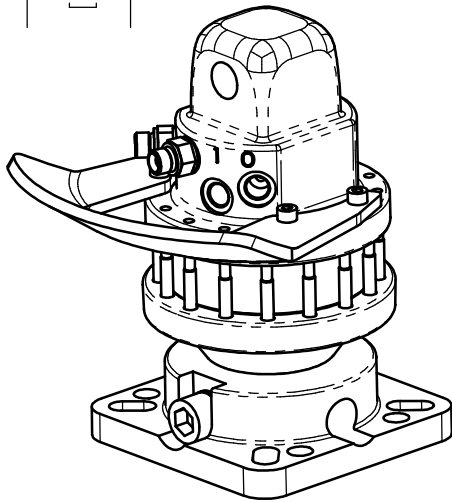
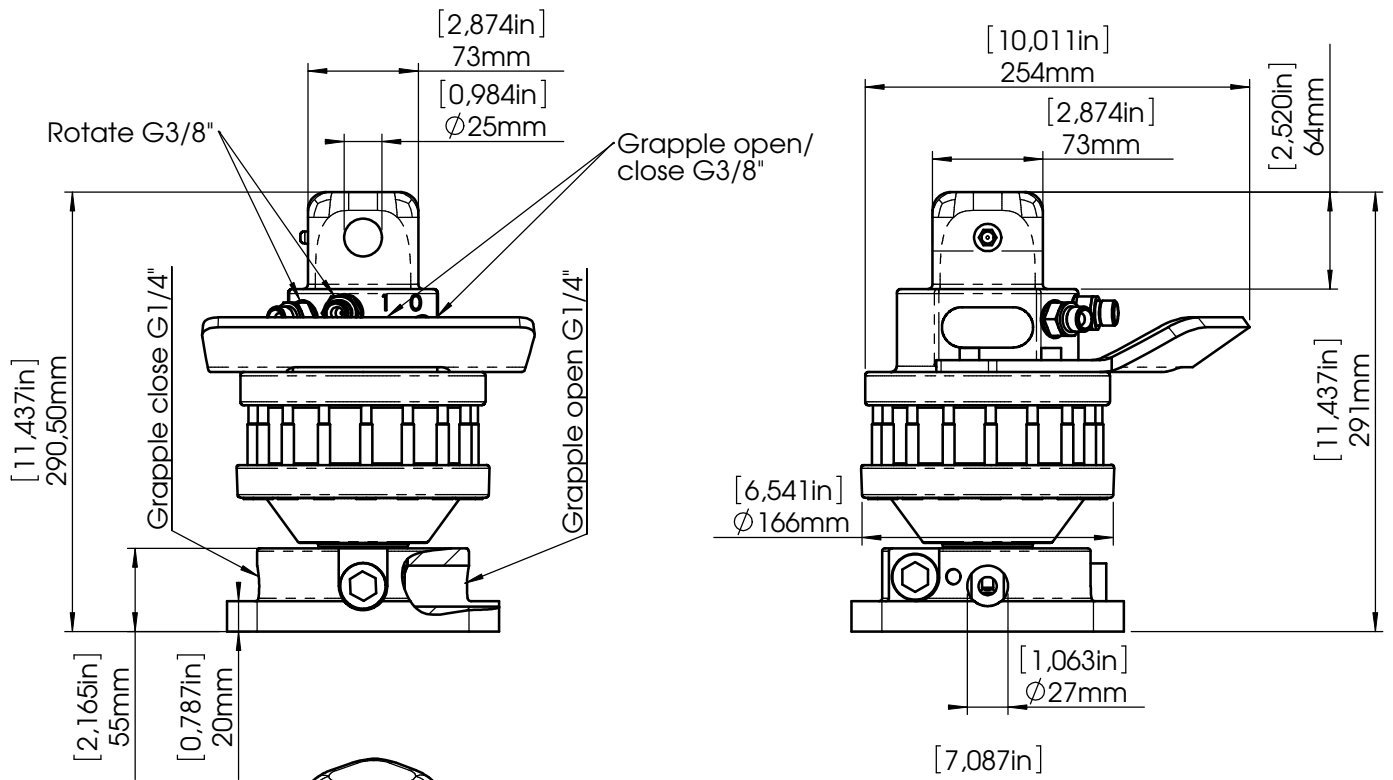


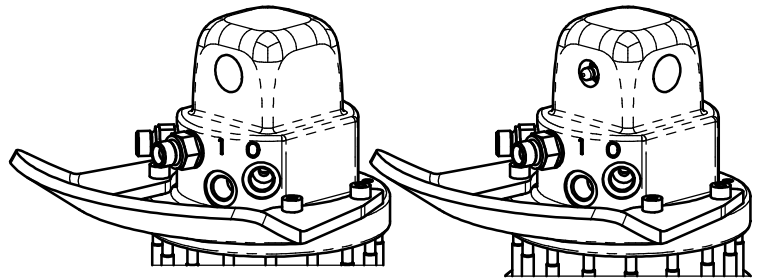
Rotator FR 10 FA



FR 10 FA	
Rotation angle	Unlimited
Max. working pressure	200 bar
Displacement	420 cm ³
Torque (200 bar)	1000 Nm
Max. axial force	60 kN
Safe working load	4000 kg
Weight	25 kg

Direction W

Direction X



Basic models				
Item	Name	Direction	D1	Flange
11071	FR 10-X25FA	X	25	FA
11073	FR 10-W25FA	W	25	FA

Flange connections: D173 x 6, 120x120, 140x140